

# Kinematic Prism Platforms

- Kinematic designs specifically for prisms and beamsplitters
- 8-32 (M4) mounting hole patterns
- 100 tpi threads per inch adjusters
- Allen key adjusters
- Clamp arm with soft rubber pad

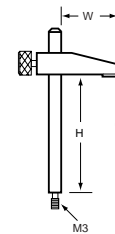
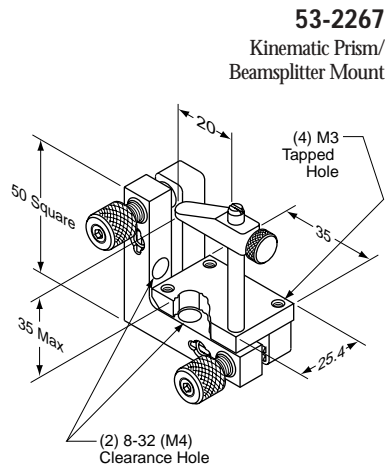


The new Ealing Kinematic Prism and cube beamsplitter mounts are based on the same reliable design as the new Kinematic Mirror Mounts. They provide angular adjustments to allow precise alignment of prisms and beamsplitters in optical systems and experiments. There are two designs available. One is a 50 mm (2 inch) square platform that can be horizontally or vertically mounted. It accepts cubes or prisms up to 50 mm (2 inch) in size. The other is a more compact vertically mounted design that accepts up to 25 mm (1 inch) cubes and prisms.

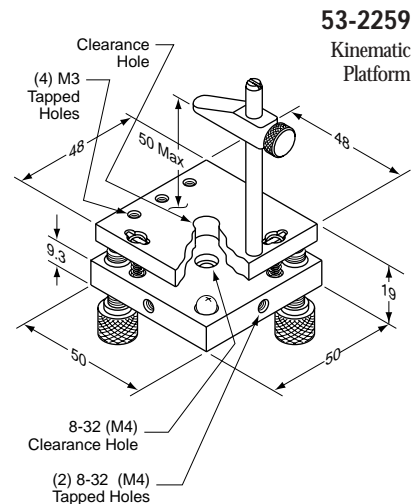
Either mount can be post mounted on our standard Half-inch Posts using M4 (8-32) screws and the clearance holes in the mount's base or StablePillar™ mounted. Riser blocks of 25 or 50 mm

can be used with the 53-2267 Kinematic Prism Mount to give a bracketed version suitable for breadboard and table mounting directly.

**Note: Kinematic Prism Platforms are not supplied with clamp rod arms.**



**Clamp Rod/Arm For Prisms/Beamsplitters**



## Kinematic Prism Platforms

Catalog Number	Description	H (mm)	W (mm)	Price US
53-2259	Kinematic Platform			\$59.00
53-2267	Kinematic Prism/Beamsplitter Mount			\$64.00
53-2333	Short Clamp Rod/Arm for Prisms/Beamsplitters	35.0	20.0	\$12.00
53-2341	Tall Clamp Rod/Arm for Prisms/Beamsplitters	50.0	30.0	\$12.00
53-2291	Riser Block, 25 mm			\$22.00
53-2309	Riser Block, 50 mm			\$24.00
61-2291	Riser Block, 1 inch			\$22.00
61-2309	Riser Block, 2 inch			\$24.00

### Specifications

**Angular Adjustment Range:**  $\pm 10^\circ$   
**Pivot Arm Length:** 38 mm  
**Actuator Thread Pitch:** 100 TPI  
**Angular Resolution or Sensitivity:** 3.8 arcsec (0.001°)  
**Maximum Component Sizes -**  
**53-2259:** 50 mm  
**53-2267:** 25 mm

- Optics
  - Lenses & Microscope Components
  - Coatings
  - Mirrors, Beamsplitters & Windows
  - Prisms & Polarizers
  - Filters
  - Pinholes
- Opto-mechanics
  - Tables, Breadboards & Rails
  - Mounting Hardware
  - Mirror & Component Mounts
  - Manual Micro-positioners
  - Motorized Positioners
- Lasers & Accessories
  - Beam Delivery
  - Laser Measurement
  - Diode Laser Modules