

Polarizer Mounts

Optics

Lenses & Microscope Components

Coatings

Mirrors, Beamsplitters & Windows

Prisms & Polarizers

Filters

Pinholes

- Rotary mount for polarization optics
- 25 mm and 50 mm sizes
- Integral lock screws
- 8-32 or M4 mounting
- 360 degree scale graduated in 1 degree increments



Ealing Polarizer Mounts are available in two different sizes, designed to accept round polarizers that are either 25 mm (1 inch) or 50 mm (2 inch) in diameter. These mounts are rotatable through a full 360 degrees and have graduated scales in one degree increments. The rotatable part of the mount can be firmly locked at any chosen angle by means of

an integral locking screw found inside the unused threaded mounting hole. Threaded M4 and 8-32 holes are provided for mounting on either a Half-inch Post or on a StablePillar™ pedestals.

Polarizing prisms and beamsplitters can be held in the mount using a range of holders and adapters supplied separately.

Opto-mechanics

Tables, Breadboards & Rails

Mounting Hardware

Mirror & Component Mounts

Manual Micro-positioners

Motorized Positioners

Lasers & Accessories

Beam Delivery

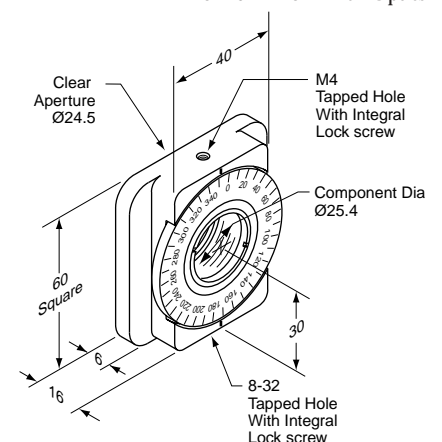
Laser Measurement

Diode Laser Modules

Specifications:

	25mm Mount	50mm Mount
Optical Center Height:	30 mm	45 mm
Clear Aperture:	24.5 mm	49 mm
Maximum Component Diameter:	25.4 mm	50.8 mm
Minimum Component Diameter:	25.0 mm	50.0 mm
Rotation Range:	360°	360°
Resolution:	1°	1°

53-2655
Rotatable Polarizer Mount for 25 mm or 1 inch Optics



Polarizer Mounts

Catalog Number	Description	Price US
53-2655	Rotatable Polarizer Mount for 25 mm or 1 inch Optics	\$71.40

Polarizer Adapters

- Three sizes available
- Designed to hold cylindrically mounted calcite polarizing optics
- Knurled lock rings for easy orientation
- Soft faced set screws to positively hold optics



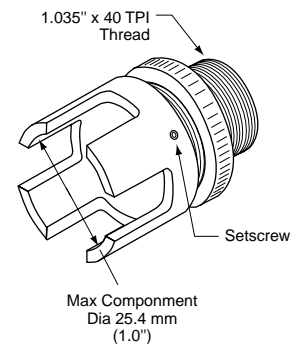
These three adapters are designed to hold the cylindrically mounted calcite optics, beamsplitters and prisms found in the optics section of this catalog.

The 53-3612 polarizer adapter is designed to hold 25.4 mm diameter cylindrically mounted optics, it has a 1.035" x 40 tpi male thread and locknut

allowing it to be mounted either in the 53-2655 one inch Polarizer Mount or the Precision 1" Polarizer Mount (53/61-3703)

The larger two adapters are intended for 1.25" and 1.5" diameter optics and have a 2.053" x 40 tpi thread designed to fit the two inch polarizer mount 53-3604.

53-3612
Polarizer Adapter for 25.4 mm Diameter Cylindrical Optics



Polarizer Adapters

Catalog Number	Description	Price US
53-3612	Polarizer Adapter for 25.4 mm Dia Cylindrical Optics	\$94.00

Optics

Lenses & Microscope Components

Coatings

Mirrors, Beamsplitters & Windows

Prisms & Polarizers

Filters

Pinholes

Opto-mechanics

Tables, Breadboards & Rails

Mounting Hardware

Mirror & Component Mounts

Manual Micro-positioners

Motorized Positioners

Lasers & Accessories

Beam Delivery

Laser Measurement

Diode Laser Modules