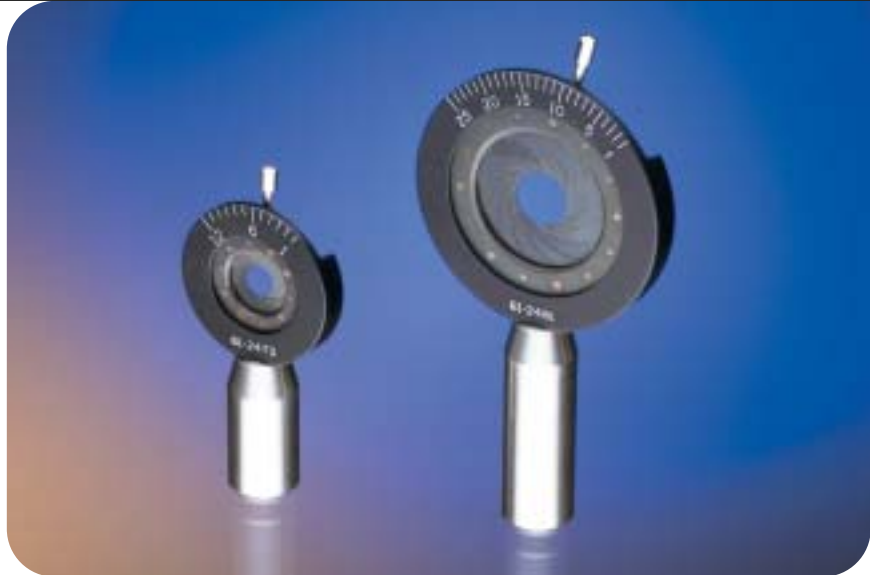


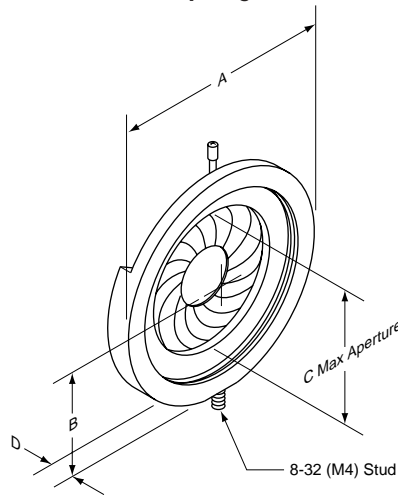
# Mounted Iris Diaphragms

- Now with graduated scales
- Threaded stud for post or StablePillar™ mounting
- Metric and Inch versions available
- Continuously variable iris



The Ealing range of Mounted Iris Diaphragms are lever operated and offer a continuous variable diameter aperture in a range of four sizes. Two versions are available, a standard and unmounted iris diaphragms which have a minimum closed aperture and a new zero aperture. They are supplied in a black anodized aluminum mount which has a laser engraved scale indicating aperture size. The fixed stud in their base is either M4 or 8-32 (catalog numbers prefixed by 53- have metric M4 studs while 61- denotes an 8-32 inch thread). They can be mounted on either a Half-inch Post or on a StablePillar™. Unmounted Iris Diaphragms are listed in the sidebar opposite.

Mounted Iris Diaphragms



## Unmounted Iris Diaphragms

In addition to Mounted Iris Diaphragms we also offer a range of Unmounted Iris Diaphragms listed below.

Catalog Number	Aperture Max./Min. (mm)	Outside Dia.	Price US
53-1814	5.0/0.7	10.0	\$58.00
53-1832	8.0/0.7	14.8	\$30.00
53-1988	12.0/0.8	19.8	\$30.00
53-1830	15.0/0.8	24.0	\$33.00
53-1863	20.0/0.8	30.0	\$37.00
53-1889	22.0/0.8	33.0	\$38.00
53-1996	25.0/0.8	37.0	\$38.00
53-1905	30.0/1.2	42.0	\$46.00
53-2002	36.0/1.2	50.0	\$47.00
53-2010	50.0/2.0	70.0	\$104.00

## Mounted Iris Diaphragms - Standard

Catalog Number	Description	A (mm)	B (mm)	Max Aperture C (mm)	Min Aperture (mm)	D (mm)	Price US
53-2473	Mounted Iris Diaphragm, 12 mm Dia, Metric	30.0	14.5	12.0	0.8	6	\$42.00
61-2473	Mounted Iris Diaphragm, 12 mm Dia, Inch	30.0	14.5	12.0	0.8	6	\$42.00
53-2481	Mounted Iris Diaphragm, 25 mm Dia, Metric	47.0	23.0	25.0	0.8	6.5	\$59.00
61-2481	Mounted Iris Diaphragm, 25 mm Dia, Inch	47.0	23.0	25.0	0.8	6.5	\$59.00
53-2499	Mounted Iris Diaphragm, 36 mm Dia, Metric	60.0	29.5	36.0	1.2	7.5	\$79.00
61-2499	Mounted Iris Diaphragm, 36 mm Dia, Inch	60.0	29.5	36.0	1.2	7.5	\$79.00
53-2507	Mounted Iris Diaphragm, 50 mm Dia, Metric	80.0	39.5	50.0	2.0	9.0	\$149.00
61-2507	Mounted Iris Diaphragm, 50 mm Dia, Inch	80.0	39.5	50.0	2.0	9.0	\$149.00

### Optics

Lenses & Microscope Components

Coatings

Mirrors, Beamsplitters & Windows

Prisms & Polarizers

Filters

Pinholes

### Opto-mechanics

Tables, Breadboards & Rails

Mounting Hardware

Mirror & Component Mounts

Manual Micro-positioners

Motorized Positioners

### Lasers & Accessories

Beam Delivery

Laser Measurement

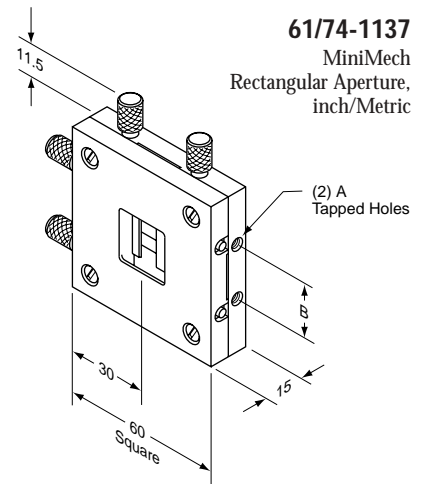
Diode Laser Modules

# Rectangular Apertures



- *Four Independent Knife-edge blades*
- *Rectangular or square beam aperture*

Rectangular Apertures can be used to define the boundaries of an optical path or to mask out specific areas in an optical system, for example on a test target, monochromator, CCD or a detector. They are constructed from four independently-controlled brass knife edge jaws, that can be adjusted from fully closed to an area 12 mm square on the MiniMech unit. A separate friction drive to each jaw prevents overdrive and consequent damage to the knife edges. The MiniMech unit is available in metric and inch versions and can be mounted onto posts, StablePillars, bases carriers and rails in the Ealing range.



## Specifications:

### Maximum Open Aperture

MiniMech Unit: 12 mm x 12 mm square

### Materials

Body: Anodized aluminum  
Blades: Brass

## Rectangular Apertures MiniMech and MicroMech sizes

Catalog Number	Description	A	B	Price US
74-1137	MiniMech Rectangular Aperture, Metric	M4	25	\$229.00
61-1137	MiniMech Rectangular Aperture, Inch	8-32	1 inch	\$229.00
23-1837	Replacement Blades for MiniMech Unit			\$98.00

## Optics

Lenses & Microscope Components

Coatings

Mirrors, Beamsplitters & Windows

Prisms & Polarizers

Filters

Pinholes

## Opto-mechanics

Tables, Breadboards & Rails

Mounting Hardware

Mirror & Component Mounts

Manual Micro-positioners

Motorized Positioners

## Lasers & Accessories

Beam Delivery

Laser Measurement

Diode Laser Modules